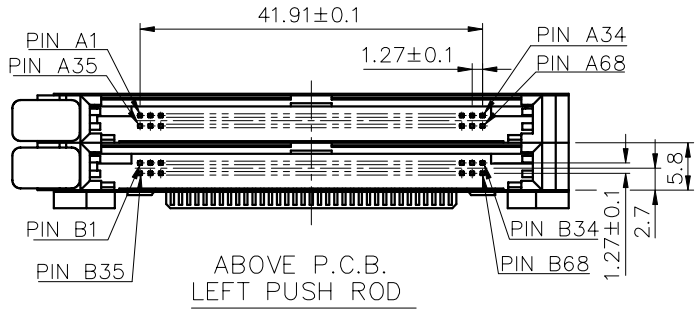
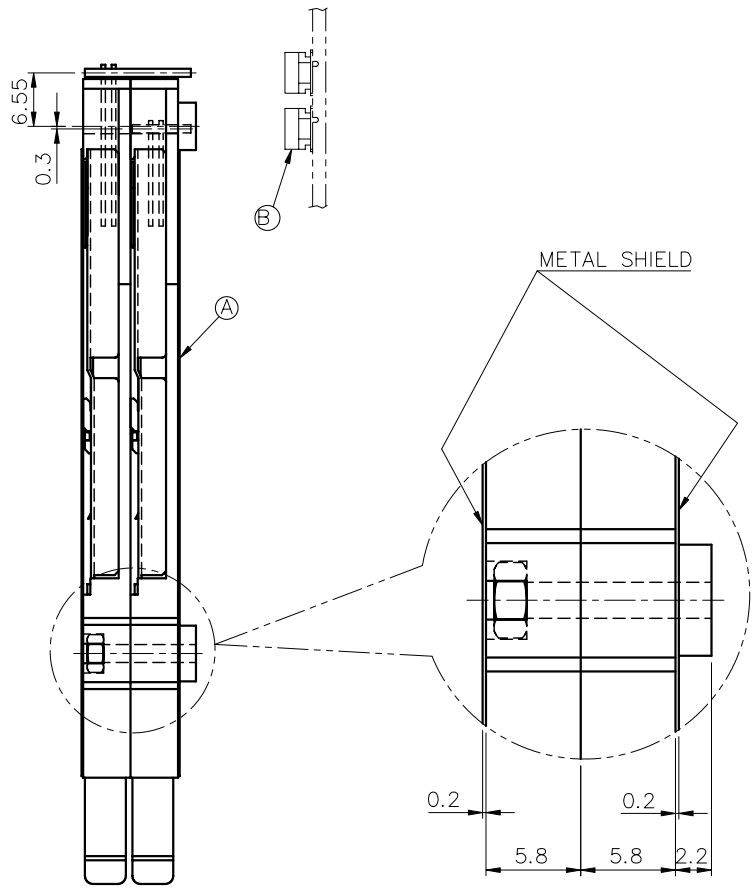
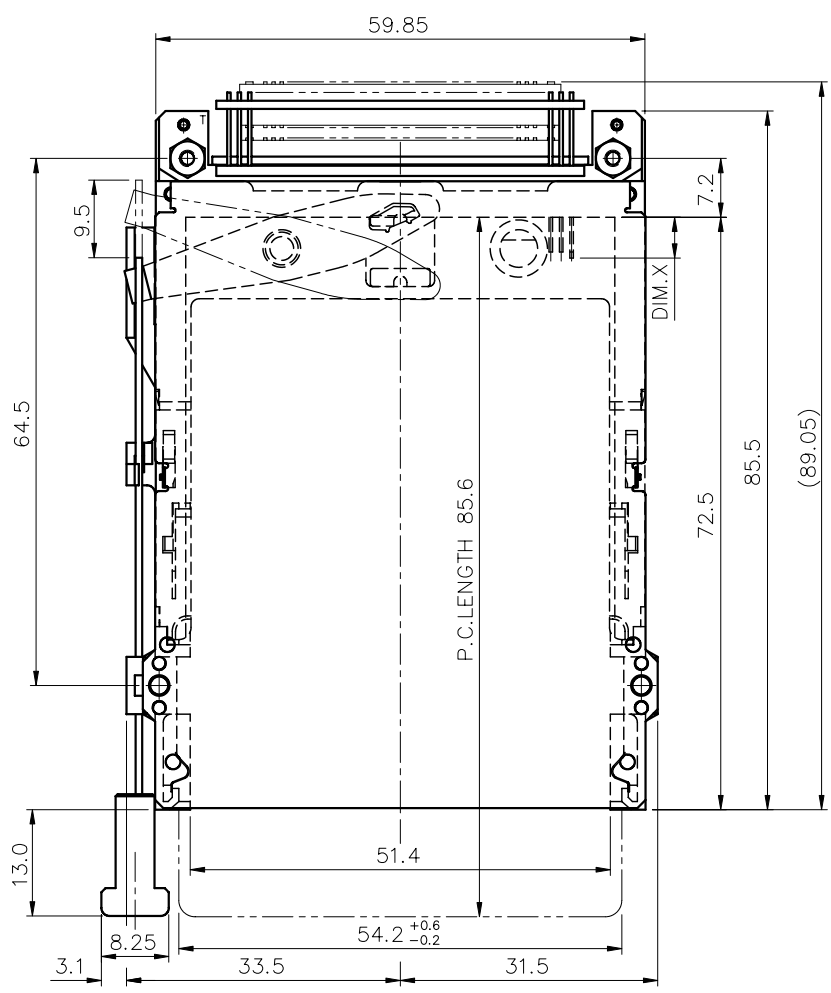


Tous droits strictement réservés. Reproduction ou communication à des tiers int  
 propriété de BERG ELECTRONICS  
 Droits de reproduction BERG ELECTRONICS by

FCI

All rights strictly reserved. Reproduction or issue to third parties in any for  
 in whole or in part without written authority from the proprietor.  
 Copyright BERG ELECTRONICS by

PRODUCT NO.
10005828-322CA
10005828-322CALF



mat'l code		tolerance unless otherwise specified		CUSTOMER COPY		FCI		www.fciconnect.com	
rev.	ecn no.	dr	date	linear		± 0.30		projection	
A	T20248	W L	08/09/02	angles		± 2°		title	
B	N040092	W B	12/01/04	dr		WENDY CHEN 04/15/02		PCMCIA TRANSITION BOARD	
				enr		MINERVA WANG 04/15/02		3.3V, SMT TYPE 1/2/3	
				chr		YUWEN CHU 04/15/02		product family	
				appd		JENN TSAO 04/15/02		PCMCIA	
						unit		code	
						mm/inch		size	
						scale		dwg no.	
						1.2:1		A3	
								10005828	
								sheet	
								1 OF 2	
sheet	revision	B	B						
index	sheet	1	2						

NOTES:

1. 8mm MIN. CARD EJECT.
2. EJECT TRAVEL: 9.5mm
3. PUSH ROD LOCATION AND P.C.B. SIDE ARE AS APPEARS INSTALLED.
4. MATERIAL

4.1 HEADER ASS'Y:

PLASTIC :HOUSING ...LCP UL94V-0 BLACK  
 PIN :COPPER ALLOY  
 PCB : FR4

4.2 EJECT MECHANISM ASS'Y:

PLASTIC :GUIDE:POLYPHTHARAMID UL94V-0 BLACK  
 :BUTTON:POLYPHTHARAMID UL94V-0 BLACK  
 PLATE AND PUSH ROD :STAINLESS  
 EMI CONTACT:PHOSPHOR BRONZE

5. FINISH (PIN)

UNDER PLATING :0.5µm MIN. Ni  
 CONTACT AREA :0.1µm MIN. GOLD OVER  
 0.5µm MIN. Pd-Ni  
 SOLDER TAIL(TIN LEAD OPTION) : 2.5µm MIN. Sn-Pb  
 SOLDER TAIL(LEAD FREE OPTION) : 2.5µm MIN. PURE TIN

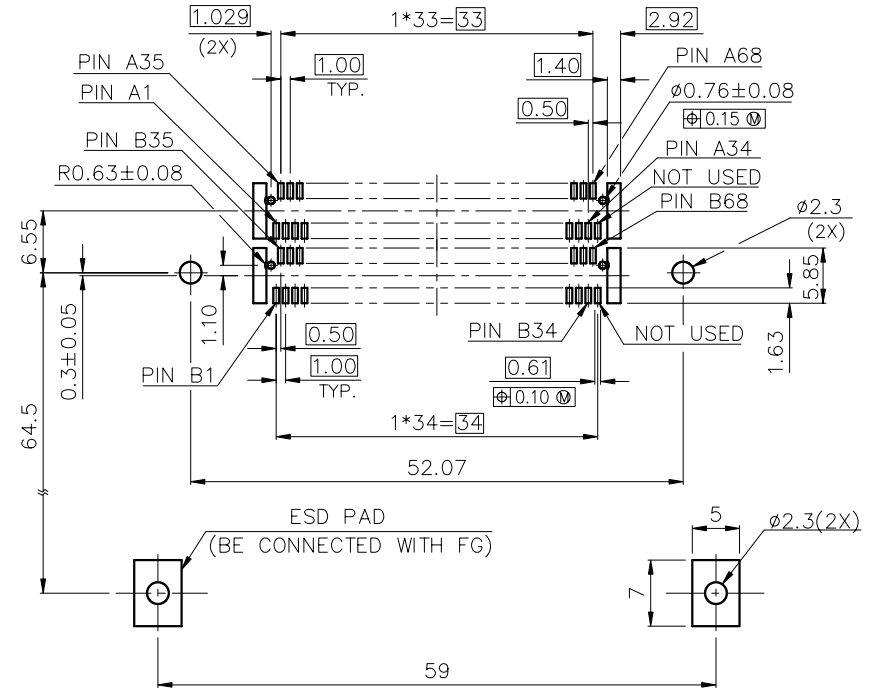
6. DIM "X"

4.25±0.1	3.5±0.1	5.0±0.1
OTHERS	36,67	1,17,34,35,51,68

7. IF LEAD FREE P/N. THE HOUSING WILL WITHSTAND EXPOSURE TO 260°C PEAK TEMPERATURE FOR 10 SECONDS IN A WAVE SOLDER APPLICATION WITH A 1.00MM MINIMUM THICK CIRCUIT BOARD.
8. LEAD FREE PRODUCT MEETS EUROPEAN UNION DIRECTIVES AND OTHER COUNTRY REGULATIONS AS DISCRIBLED IN GS-22-008
9. IF LEAD FREE P/N. PACKAGING MEETS GS-14-920 SPECIFICATION

ORDERING INFORMATION

NAME	PART NO.		Q'TY
(A) EJECT HEADER ASS'Y	10005828-322CA	10005828-322CALF	1
(B) MATING RECEPTACLE	91931-31169	91931-31169LF	2



BOARD VIEW FROM CONNECTOR MOUNTED SIDE  
 TOP OF BOARD IN APPLICATION

mat'l code		tolerance unless otherwise specified		CUSTOMER COPY		 www.fciconnect.com	
rev.	ecn no.	dr	date	linear	±0.1	projection	title
A				angles			P.C.B LAYOUT
B				dr	WENDY CHEN 04/15/02	unit	product family
				enrg	MINERVA WANG 04/15/02	mm/inch	PCMCIA
				chr	YUWEN CHU 04/15/02	scale	code
				appd	JENN TSAO 04/15/02	A3	10005828
sheet	revision					size	dwg no.
index	sheet					2 OF	2 OF

Tous droits strictement réservés. Reproduction ou communication à des tiers sans autorisation écrite du propriétaire. Copyright BERG ELECTRONICS by

All rights strictly reserved. Reproduction or issue to third parties in any form without written authority from the proprietor. Copyright BERG ELECTRONICS by